

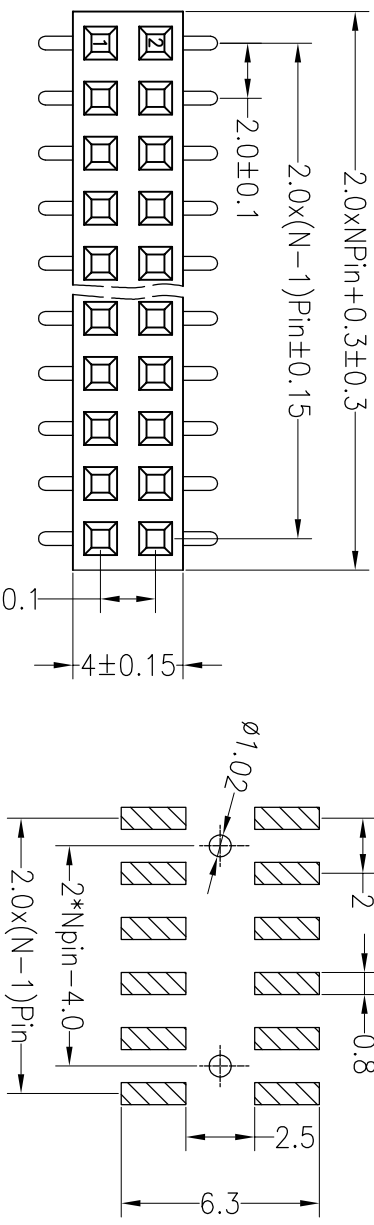
## SPECIFICATIONS

Rated Current: 1.5AMP  
 Contact Resistance: 20mΩ Max  
 Withstand Voltage: 500V AC/DC  
 Insulation Resistance: 1000MΩ Min  
 Operation Temperature: -40°C to +105°C

Contact Material: Phosphor Bronze  
 Contact Plating: Au or Sn Over Ni  
 Insulator Material: Polyester (UL94V-0)

Standard: PA6T  
 Max. Processing Temp: 230°C for 30-60 seconds  
 (260°C for 10 seconds)

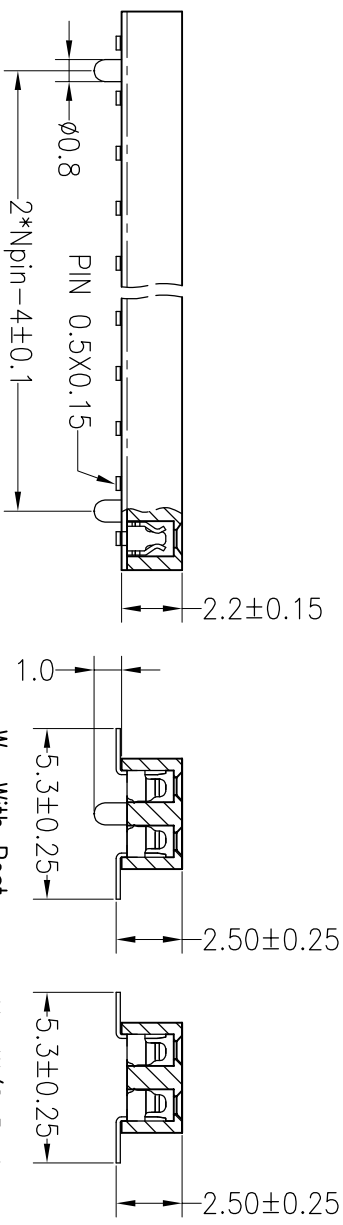
Recommended P.C.B Layout (Top Side)  
 (PCB BOARD TOLERANCE ±0.05)



## Ordering Information

2322 02 XX X X XX M U X 02

No. of Pins Per Row: 2\*40  
 Insulator Material: A=BK-PBT, B=BK-PA66, C=BK-PA6T, D=BK-PA46, E=BK-PA9T, F=BK-LCP  
 Post: W=With Post, N=W/O Post  
 Contact Plating: G1:Gold Flash, G2:1.5U" Gold, G3:2U" Gold, G4:3U" Gold, G5:5U" Gold, S0:Gold Flash/Tin, SN:Tin  
 Packing: O=PE Bag, A=Troy, T=Tube, P=Tube+Cap, R=Reel+Cap, M=Reel+Mylar  
 SN:Tin



|           |            |                          |          |       |    |     |     |                           |  |
|-----------|------------|--------------------------|----------|-------|----|-----|-----|---------------------------|--|
| OPERATION |            | DRAW                     |          | SCALE |    | FIT |     | TITLE:                    |  |
| X.X       | ±0.30      | YYuSheng                 | 12.04.18 | UNIT  | mm | A4  | 1/1 | PART NO. 232202XXXXXXMU02 |  |
| X.XX      | ±0.20      | CHECK                    |          | SIZE  |    |     |     | 2.00PF H2.20mm 2xNpin SMT |  |
| X:XXX     | ±0.10      |                          |          | SHEET |    |     |     |                           |  |
| Angle     | ±3°        | APPROVE                  |          | PROJ. |    |     |     |                           |  |
| DIM       | TOL        |                          |          |       |    |     |     |                           |  |
| REV       | DATE       | MODIFICATION DESCRIPTION | CHANGE   |       |    |     |     |                           |  |
| A0        | 2012.04.18 | NEW DRAWING              |          |       |    |     |     |                           |  |
| 1         |            |                          |          |       |    |     |     |                           |  |

**JILIN** 深圳市锦凌电子有限公司  
 SHENZHEN JINLING ELECTRONIC CO.,LTD  
 Tel: 86-755-2997-5806/5802 Fax: 86-755-2997-5892